

NEW GENERATION OF LUMP WOOD BOILERS



Boilers for lump wood **VERNER V140 EXTRA** and **VERNER V210 EXTRA**

The **VERNER V140** has rated capacity of **14kW** and the **VERNER V210** has rated capacity of **20kW**.

These 'Lump Wood' or 'Gasification' boilers provide dependable, trouble free heating for many years.

2 Year Warranty & MCS Approved

Main advantages of the **VERNER V140** and **V210**

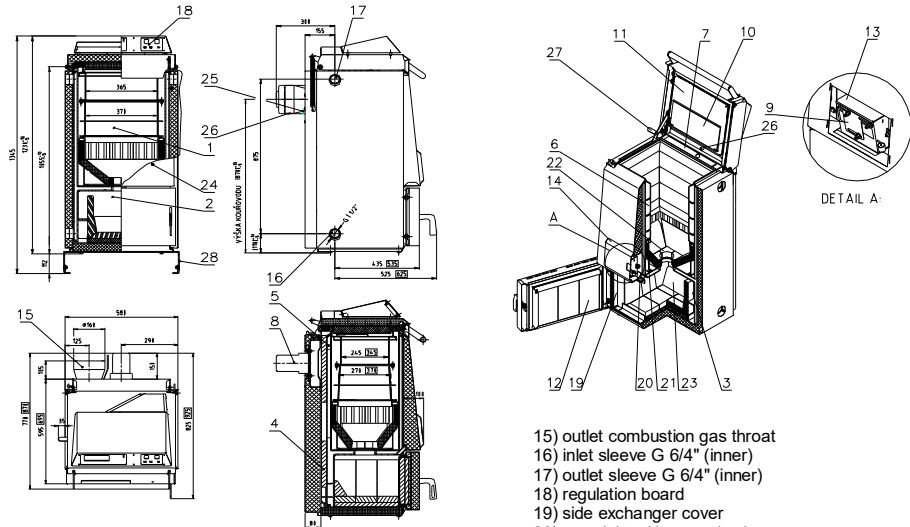
- **High-quality burning** – a primary air supply to the bottom part of the feeding chamber enables fuel to burn consistently with a high quality burn throughout the burning cycle
- **Long lifetime** – The quality of Verner's engineering ensures that the V140 and V210 enjoy a long and productive life, with a 2 year warranty
- **Ease of use** - While technologically advanced and benefiting from cutting edge engineering, the V140 and V210 are designed for ease and simplicity of use. High capacity chambers, large filling doors and reduced smoking while filling ensure minimal, easy re-fuelling times



PARAMETERS OF BOILERS VERNER V140 EXTRA and V210 EXTRA

Rated capacity	14 kW (for objects with heat losses 8-14 kW)	20 kW (for objects with heat losses 14-20 kW)
Adjustability by continuous operation	7 - 14 kW	10,5 – 20 kW
Adjustability by outstanding operation	2 – 7 kW	3 – 10 kW
Efficiency	up to 91%	up to 91%
Feeding chamber capacity	55 l	75 l
Weight	330 kg	370 kg
Maximum overpressure	3 bars	
Electric input	max. 40 W during operation, 60 W during fuel loading and heat up process	
Burning time of full standard hopper	3 h – common lump wood (soft) 4 h – high-quality lump wood (hard) 5 h – wood briquettes	
Fuel	dry wood (moisture max. to 20%) – diameter up to 15cm, length up to 34cm wood briquettes, dry wood chips or sawdust	
Height	1230 mm	
Width	580 mm	
Total depth (including controls and ventilator)	825 mm	925 mm

SCHEME OF THE BOILER:



□ dimensions are valid for the boiler V210 EXTRA

LEGEND:

- 1) feeding chamber
- 2) burning chamber
- 3) side flue gases exchanger
- 4) rear flue gases exchanger
- 5) boiler body
- 6) protective shell of the feeding chamber
- 7) ledge of the rear exchanger
- 8) ventilator
- 9) shutter of the I. and II. air rate
- 10) hinged shutter
- 11) feeding door
- 12) bottom door
- 13) air supply box
- 14) air supply cover

- 15) outlet combustion gas throat
- 16) inlet sleeve G 6/4" (inner)
- 17) outlet sleeve G 6/4" (inner)
- 18) regulation board
- 19) side exchanger cover
- 20) eye sight with ceramic glass
- 21) side adapting pieces of the feeding chamber
- 22) adapting piece – jet
- 23) closing adapting piece
- 24) emergency thermoregulator
- 25) flue gases temperature sensor
- 26) lambda sensor (if it is part of the delivery)
- 27) hold-down stanchion
- 28) transport legs

UK Distributor:

Ashburn Stoves. Unit 10 Victoria Mill

Earby. Lancs. BB18 6UX 01282 841500

www.AshburnStoves.co.uk