

DUNSLEY
AVANCE
WOODBURNING STOVE 500

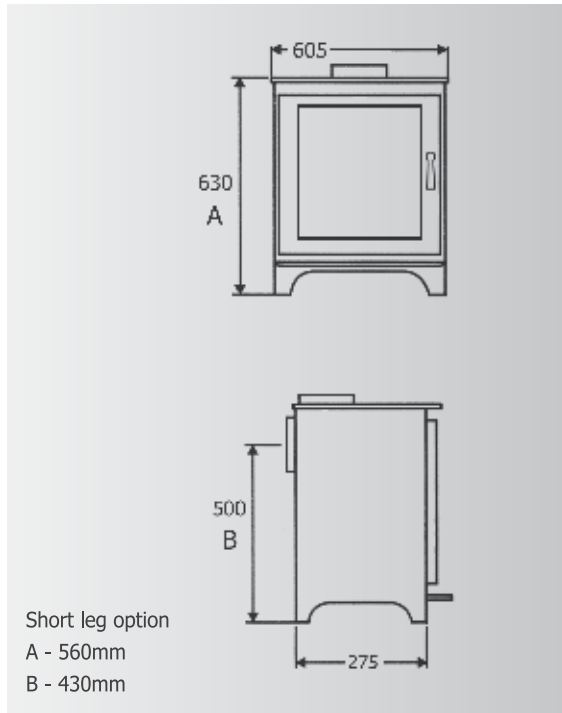


DunsleyHeat
YORKSHIRE

Dunsley Heat are one of the UK's finest manufacturers of Wood Burning Stoves established in 1950 in a village called Holmfirth high on the Yorkshire moors.

Our new stove the 'Avance' has passed all the new standards for the Eco design 2022 and been given an energy label rating of A+.

The Avance has high level controllability with a fast response for high and low burn. Finished in a metallic black high temperature paint as standard with optional colours available. The stove has top and rear flue exits to fit a 5" (125mm) diameter fluepipe. The 5kW output of the Avance can vary between 2.5 - 7.5kW depending on weight and type of wood being used.



Declaration of Performance		Solid fuel	Wood Mean
Test duration	h	1.03	0.81
Total efficiency	%	75.7	81.2
Nominal heat output	kW	5.0	5.0
Mean CO emission (at 13% O2)	%	0.06	0.10
Mean flue gas temperature	°C	326	247
Flue gas mass flow	g/s	4.4	4.3
Mean CnHm (at 13% O2)	Nmg/m	4	72
Mean NOx (at 13% O2)	Nmg/m	100	84
DIN Plus dust (at 13% O2)	Nmg/m	8	25
Hearth temperature	°C	66	66
Combustibles - side	mm	450	450
Combustibles - rear	mm	350	350

Warranty 10 years, exclusions apply.

Manufactured by Dunsley Heat Ltd, Bridge Mills, Holmfirth, Yorkshire, England



FS610184



DB-AV-05/02/19